

iws12-9 12" Architectural Subwoofer



KEY FEATURES:

- 12" High-Output Subwoofer with Installation Flexibility
- In-Ceiling, Surface Mount, or Flying
- 1400W, 4" Voice Coil Long-Throw Driver
- Maximum Output 124dB / 1m
- Highest Performance Available in its Class

OVERVIEW:

The iws12-9 subwoofer is the most flexible subwoofer Theory makes. It can be wall mounted, ceiling mounted, flown, or simply sat on a flat surface such as the ground.

The bass the iws12-9 provides belies intuition, extending deeper than seems possible, with tight, tuneful expression. It employs a high-power, 1400W, 4" voice-coil long-throw driver in a compact enclosure that is easy to place within any commercial environment.

The iws12-9 ships with robust rubber isolation feet for sitting the enclosure on the ground or appropriate shelf, or the optional Yoke Bracket allows the iws12-9 subwoofer to be mounted to any appropriate surface, ceiling or wall.

For maximum output installations the iws12-9 subwoofer can be used without a grille, or the included perforated metal grille can be installed with or without noise-reducing standoffs.

Pair the iws12-9 subwoofer with Theory ic6, iw25, or Pendant Speakers for an easy to deploy, discreet, and high-performance distributed audio or commercial audio system.

The performance and versatility of the iws12-9 must be experienced to be believed. Book a visit to the Theory Southern California Experience Center today to learn just how valuable this little loudspeaker will be in your system design toolbox.

The iws12-9 enclosure (with grille) and iws12 speaker assembly are sold separately.

APPLICATIONS:

Background and Foreground Business Music Systems

Bars and sports bars, restaurants, retail stores, hotels, houses of worship, corporate conference, screening rooms, lobbies, casinos, outdoor shopping centers, amusement parks, etc.

Music and Video Post Production

Surround and Dolby Atmos mix rooms, music post production.

Indoor and Outdoor Surround Sound Systems

Entertainment-focused residential and commercial spaces, backyards, drive-ins, sports entertainment complexes.

Premium Outdoor and Marine

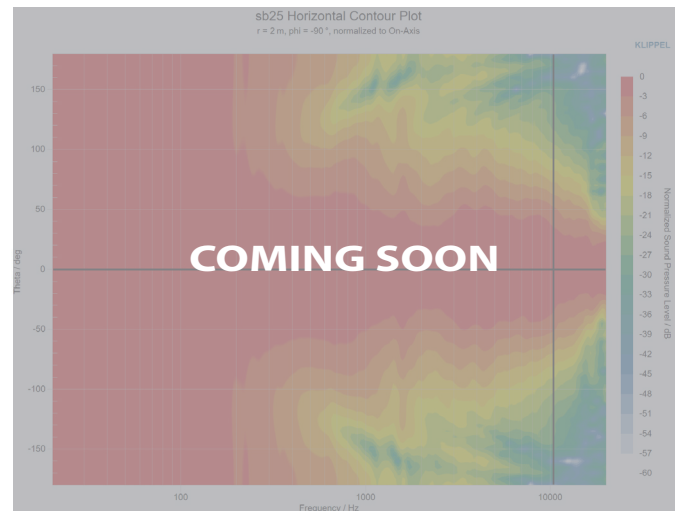
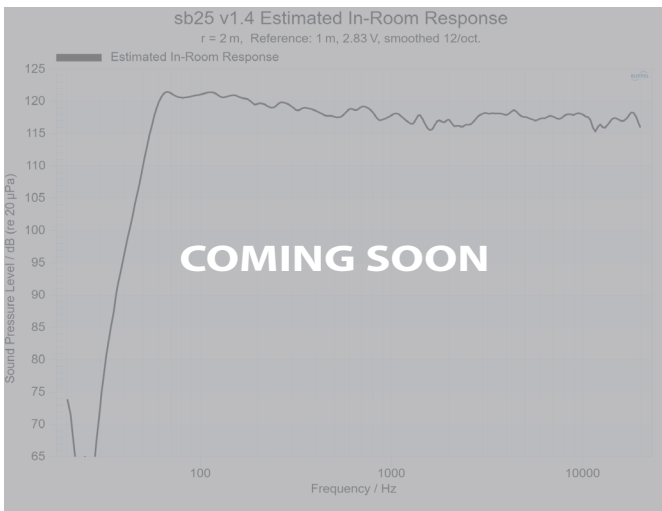
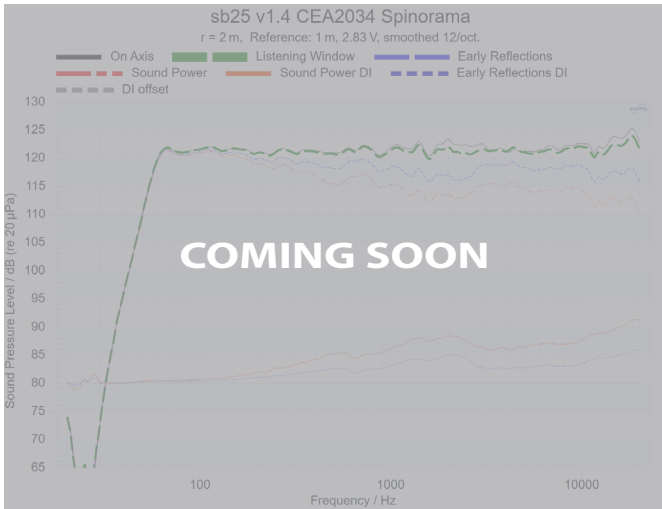
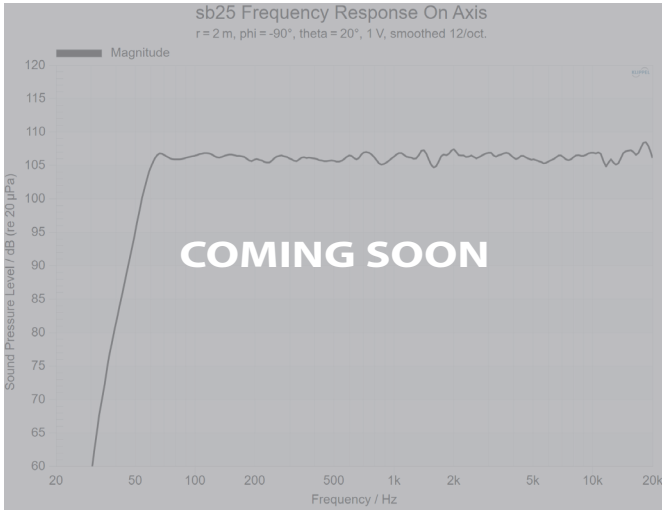
High-end courtyards, gardens, hotel pool decks, patios, and yachts - any all weather location where premium sound is desired and in-wall subwoofers are not an option.

iws12-9 Specifications¹

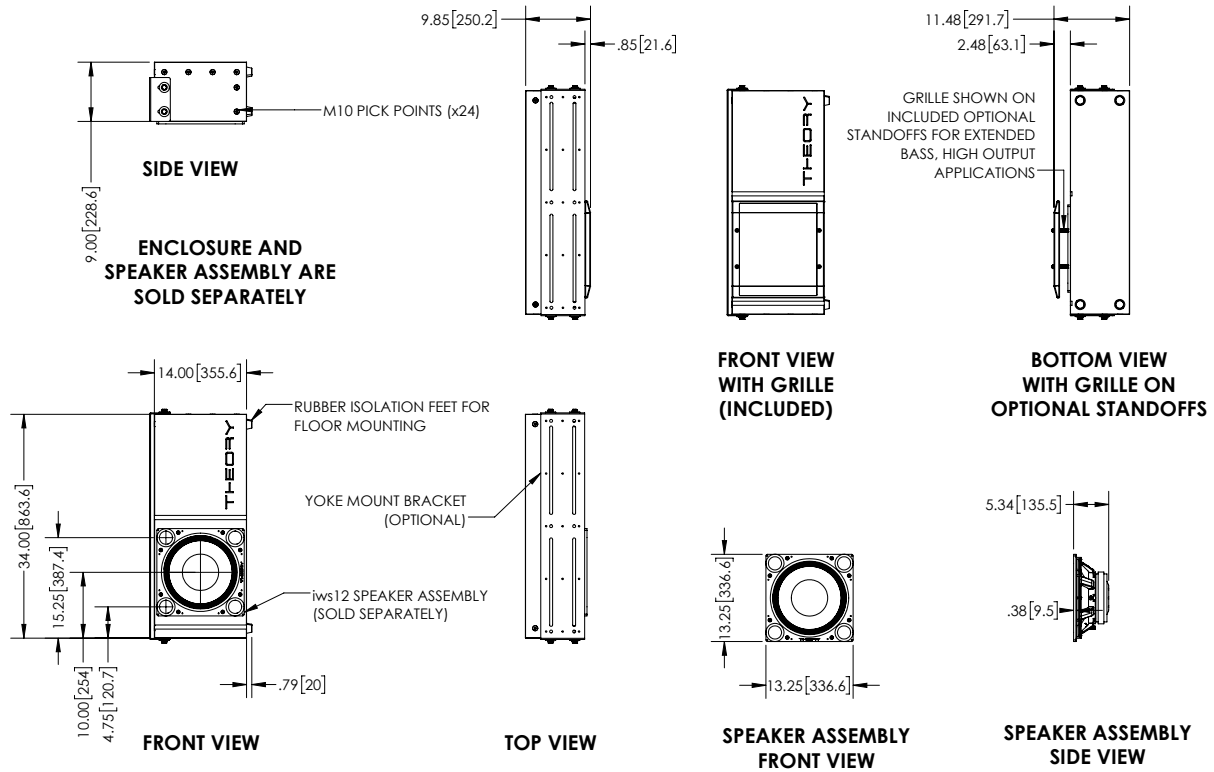
Description:	12" High-Output In-Wall Subwoofer for In-Ceiling, Surface Mount or Flying
Operation:	Passive, Requires One (1) Theory Loudspeaker Controller Amp Channel
DSP Requirements:	Requires Model-Specific Theory-Certified DSP Loudspeaker Processing
Drivers:	1 x 12" Theory 1400W 4-Inch Voice Coil Long Throw Woofer
Enclosure:	Multi Plywood Enclosure, Perforated Metal Grille
Terminals:	4-Position Euroblock with Parallel Output
Outdoor Capability:	Indoor or Outdoor (covered) use
Bandwidth:	24Hz - 125kHz, -3dB
Sensitivity:	95.5dB SPL / 1m
Power Handling:	700W (AES); 1400W (Continuous); 2800W (Peak)
Minimum Recommended Power:	250W
Maximum Output:	124dB SPL / 1m
Nominal Impedance:	8-ohms
Colors:	Black
Dimensions:	34" H x 14" W x 5.5" D (864mm H x 356mm W x 140mm D)
Net Weight:	49 lbs. (22.2 kg)
Included Accessories:	Rubber Isolation Feet , Black Perforated Powder Coated Aluminum Grille
Optional Accessories:	Yoke Surface Mount Bracket

¹ - Specifications when used with required Theory-Certified DSP loudspeaker processing. Failure to use Theory-Certified processing may cause damage, degrades performance and voids manufacturer warranty.

iws12-9 Measurements



iws12-9 Dimensions



iws12-9 Architectural Specifications

The loudspeaker shall be of the one-way "subwoofer" type comprising a single, multi plywood enclosure containing one (1) 12" (305mm) paper cone, pleated fabric surround woofer with four-inch voice coil. It shall utilize a black perforated aluminum grille. Frequency range shall be 24Hz – 125KHz (-3dB). Total power handling shall be 700 Watts (AES); 1400W continuous program. Sensitivity measured with 2.83 volts input at 1 meter on axis shall be 95.5dB. The loudspeaker shall operate via a single connected amplifier channel of suitable power and *must be combined with external Manufacturer-Certified DSP Processing*. The unit shall have a nominal input impedance of 8-ohms. The loudspeaker enclosure and baffle shall be constructed from multi plywood material. The external wiring connector shall be a 4-position Euroblock connector with parallel output. External dimensions shall be 14" Width x 5.5" Depth x 34" Height (356mm W x 140mm D x 864mm H). The total enclosure shall weigh 49 lbs. (22.2 kg) per unit. The loudspeaker shall be the Theory Audio Design iws12-9 Subwoofer.

© 2023 THEORY AUDIO DESIGN, LLC. All rights reserved.

Theory Audio Design, LLC dba Theory Professional routinely engages in programs to improve, modify and revise its products without notice or obligation.

THEORY AUDIO DESIGN, LLC dba THEORY PROFESSIONAL

25741 Atlantic Ocean Drive, Suite B
Lake Forest, CA 92630

Tel: 949-245-0505
www.theoryaudiodesign.com