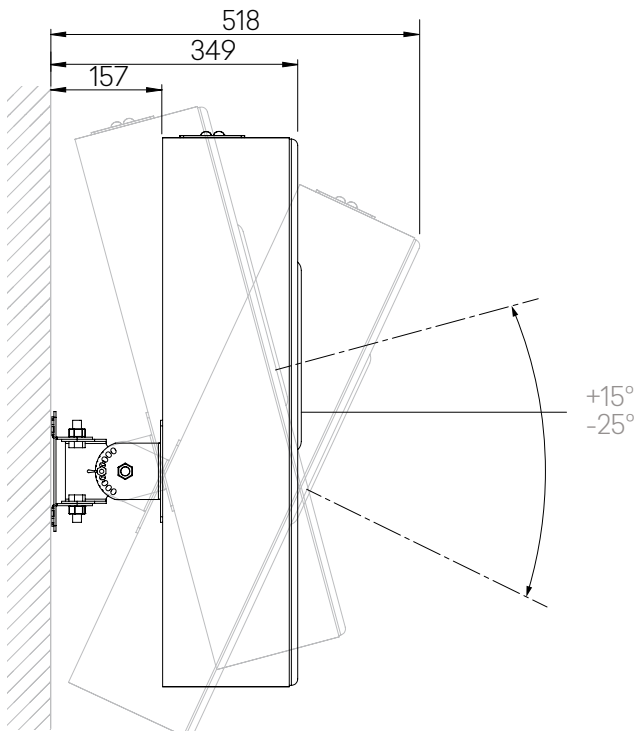
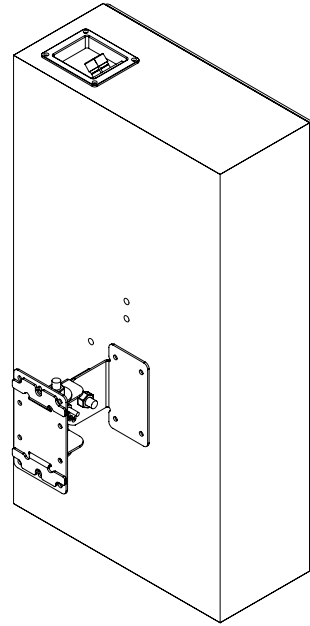


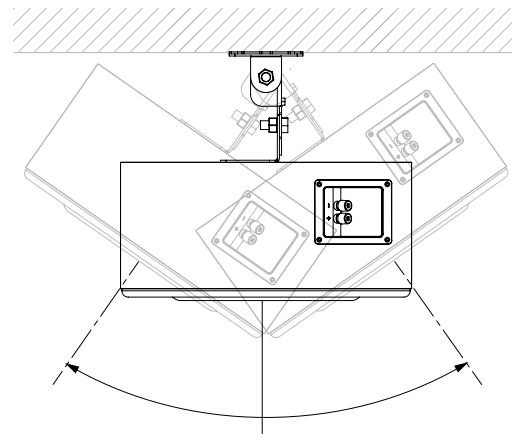
# KX-1570.F + KX-91570.S4

Wall mounted swivel bracket

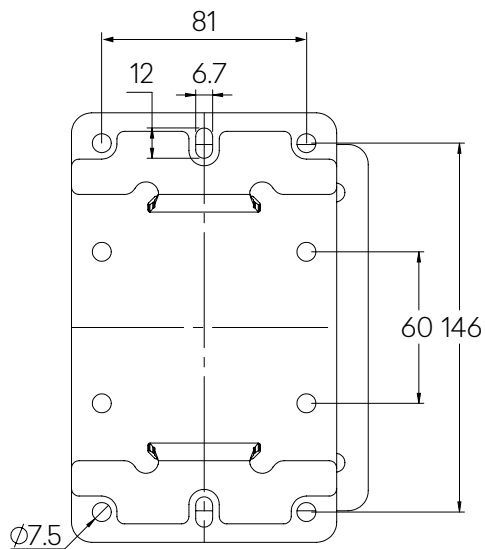
<b>Material</b>	Bright Cold Rolled Steel
<b>Material Standard</b>	AS1595
<b>Thickness</b>	3mm
<b>Finish</b>	Black, Painted
<b>Rated Load Capacity</b>	20kg
<b>Mounting Hole Size</b>	M6
<b>Dimensional Tolerance</b>	$\pm 0.3\text{mm}$
<b>Angular tolerance</b>	$\pm 2^\circ$



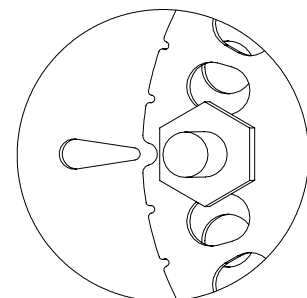
Side View



Top View



Wall Mounting Pattern



5° incremented guide marks