

The IW-30 is a compact in-wall speaker, ideal for creating a two channel music or multichannel home theatre experience. With performance surpassing its size, the IW-30 is well suited to small to medium home theatre rooms as main or surround speakers, or as a left and right pair for stereo music.

As a rectangular in wall version of the in ceiling IC-30 and IC-32 speakers, the IW-30 offers precise tonal matching, but will also provide excellent synergy with any of the Krix speaker range.

Designed to fit within a 70mm wall cavity, its fully enclosed back box ensures acoustic integrity and prevents rear sound radiation from being transferred to adjoining rooms.

Bass and midrange clarity are delivered through the 100mm bass driver, while the 20mm ring radiator tweeter sits within an integrated waveguide for improved dispersion.

The single piece trimless grille is held in place by magnets at the front of the speaker, and can be painted to match the decor of any room.

For the ultimate sound experience at home, play it through Krix.

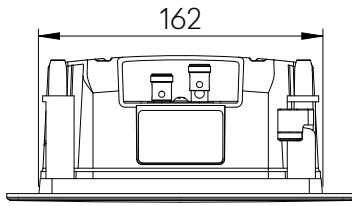


## FEATURES

- Trimless magnetic grille
- Fits inside 70mm wall cavity
- Fully enclosed backbox

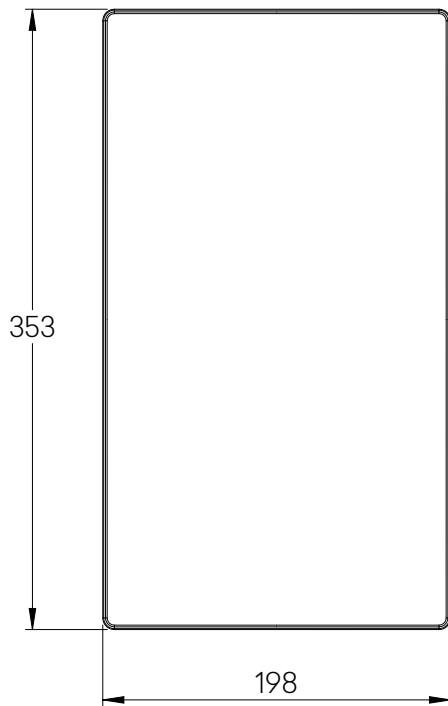
IW-30	
<b>Frequency Range</b>	65Hz - 40kHz (in room response)
<b>Power Handling</b>	20 - 100 Watts RMS recommended amplifier power
<b>Sensitivity</b>	86dB (2.83V / 1m)
<b>Impedance</b>	Nominal 6 Ohms (minimum 4.2 Ohms)
<b>Configuration</b>	2-way
<b>Low Frequency Drivers</b>	Nominal 100mm (4") doped paper cone . 25mm (1") voice coil wound on high temperature Kapton former
<b>High Frequency Driver</b>	20mm (3/4") dual concentric diaphragm with wave-guide centre plug for controlled directivity. Neodymium magnet
<b>Enclosure Type</b>	Bass reflex, front vented
<b>Input Terminals</b>	Gold plated spring terminals
<b>Cut-out Dimensions</b>	325mm x 170mm recommended
<b>Dimensions</b>	353mm high x 198mm wide x 83mm depth
<b>Weight</b>	2.5kg each

## DETAILED DIMENSIONS

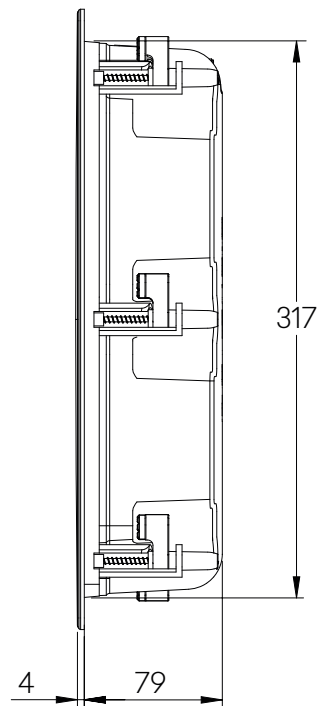


**Top View**

<b>Cut-out Dimensions</b>	325mm x 170mm
<b>Mounting Depth</b>	79mm
<b>Clamping Thickness</b>	1-20mm
<b>Binding Post Hole Size</b>	Ø 3.5
<b>Maximum Wire Gauge</b>	12 AWG



**Front View**



**Side View**

