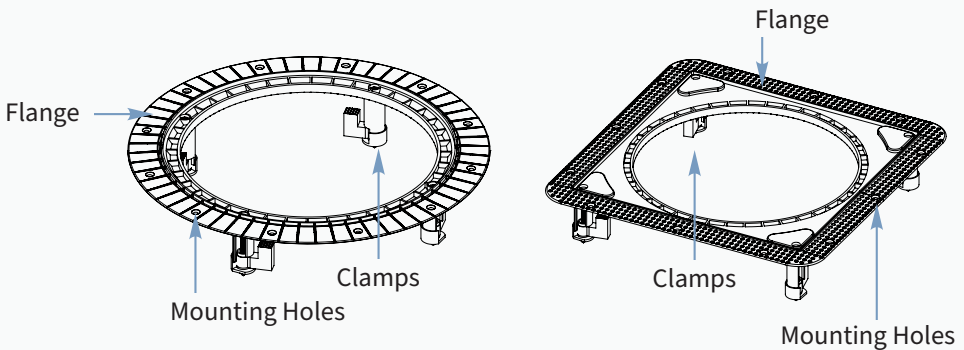


FLUSH MOUNT BRACKET

FMKD68RD - Round | FMKD68SQ - Square

Fits 6" & 8" Director Series Speakers



1) CUT Cut out ceiling hole using the included Cut-Out Template.

(Sizes as follows: **10 5/16"** (262MM) ROUND | **10 1/8"** (257MM) x **10 1/8"** (257MM) SQUARE)

2) INSERT Insert the flush mount kit within in-ceiling hole, and ensure it sits flat against the drywall. **A**

3) CLAMP Use a Philips screw driver to turn the screw inside each clamp. This will tighten the clamps and secure the bracket against the drywall. **B**

4) SCREW Use a screwgun/drill to drive drywall screws through the mounting holes of the flange, to secure the flushmount bracket into the drywall. **C**

5) DRYWALL Apply joint compound over the bracket to seal and blend the bracket into the ceiling.

6) FEATHER OUTWARDS Begin applying the joint compound 6 - 8 inches (152 - 203 mm) from the bracket edge and then feather outward 16 - 20 inches (406 - 508 mm) to achieve a smooth and flat transition. **D**

7) INSERT BAYONET RING & DIRECTOR SPEAKER

Please visit docs.originacoustics.com or scan this QR code using your smart device for the most up to date safety information and use instructions for this product.



*All warranties and warranty conditions are subject to change. Please refer to docs.originacoustics.com for the latest information.

INSTALLATION IMAGES

