



ORIGIN
ACOUSTICS®

KlipLok

New Construction Bracket

Installation Manual

BR10, BR68, BR5, BR3
BRP8, BRP6

Table of Contents

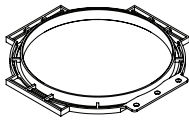
Introduction	1
What's Included	2
Tools & Items	2
About the New Construction Bracket	2
Why a New Construction Bracket	2
Positioning the Wings	3
Assembling the Bracket	4
Placing the Bracket	4
Cutting the Hole	5
Technical Assistance	6
Warranty	7
Return Process	8

Introduction

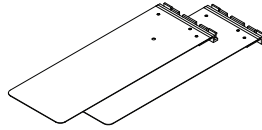
Thank you for purchasing the BR & BRP New Construction Brackets. At Origin Acoustics, we take pride in providing you with a high quality product. All of Origin Acoustics' products are designed to have excellent sound quality, longevity, and a simple installation process.

This instruction booklet covers the necessary information for a smooth installation, including: the tools you will need, step-by-step instructions for installation, troubleshooting tips for any errors that may occur, and all warranty information. If for any reason you experience problems or if you have installation questions please call us at (844) 674-4461. Hours of operation are 8:00am to 5:00pm (Pacific Time), Monday through Friday.

What's Included



Bracket



Wings (2)

Tools & Items

- Drywall Saw
- Drill
- Hammer
- Measuring Tape
- Screws
- Nail

About the New Construction Brackets

The KlipLok new-construction bracket makes prewire installations easier by reserving the proper space for Origin loudspeakers before and after drywall has been installed. All KlipLok brackets function the same regardless of size or shape. This is a manual for all models of both round and rectangular brackets.

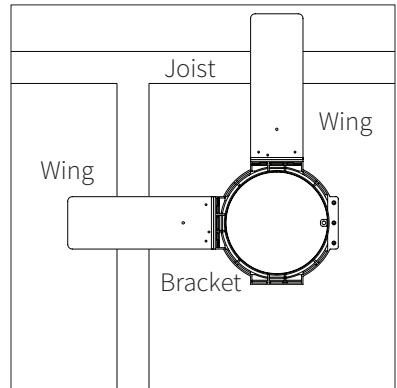
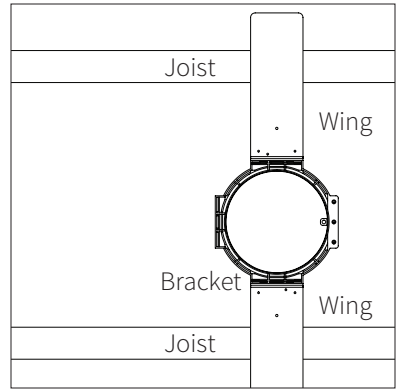
Why a New Construction Bracket?

1. Define precise location of the speaker to determine where wire will be run.
2. Indicate the exact shape and size of the hole for installation at a later date.

1. Positioning the Wings

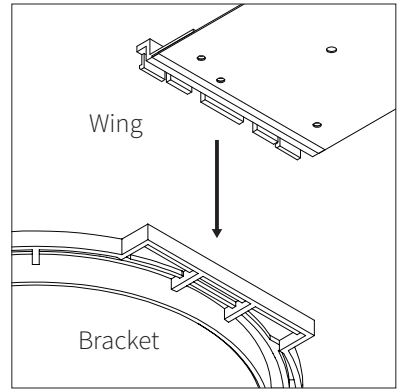
Origin rectangular KlipLok brackets are shipped with wings that can attach to any of four positions on the center frame. Most installations will require the wings to be directly opposite each other on the center frame. However, there will be some installations that will require the wings to be attached in other configurations. Some brackets also offer the ability to attach the center frame directly to the studs or ceiling joist.

The wings on these brackets will span a standard stud bay at 16-inch on-center. Extra long wings are available to span 24-inch on-center studs. Brackets for round speakers ship with wings to span ceiling joists at 24-inch on-center.



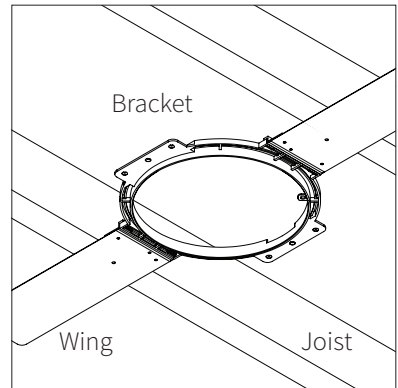
2. Assembling the Bracket

The wings clip into place by lining up the tabs and grooves and simply pressing them into place. If additional pressure is needed, we recommend placing the center frame on a solid flat surface and using both hands to apply even pressure to engage the wings. The wings can be detached and reattached as needed.



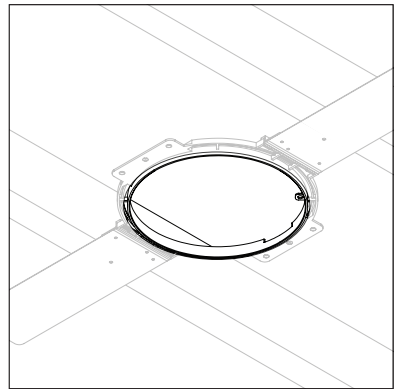
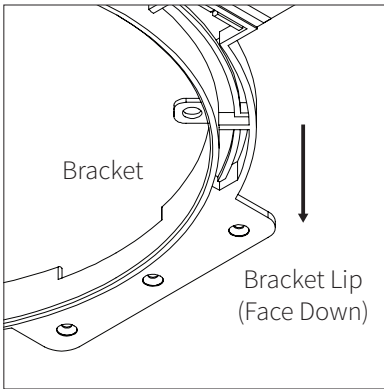
3. Placing the Bracket

Place the bracket between ceiling joists using the ruler marks for your desired location. Either nail or staple the bracket wings to the joists.



4. Cutting the Hole

Make sure the “lip” of the reusable bracket is facing down into the room. The “lip” allows the bracket to act as a template for cutting the speaker cutout in the sheet rock. Cut along the inside of the bracket hole where the hole should be. Use a keyhole or drywall saw to cut the hole.



Technical Assistance

If you have any questions or concerns about installing or using this product, you can reach us through one of the following methods:

Phone: (844) 674-4461

Hours of operation: 8:00am - 5:00pm (Pacific Time), Mon - Fri

Email: techsupport@originacoustics.com

If you are having technical trouble, please include the model number and briefly explain what steps you took to resolve the problem in your email, or be prepared to answer these questions over the phone. If you are considering returning the product, it's required that you contact Origin Acoustics prior to any return attempts. This way we can determine if the issue can be resolved without returning the product, or if needed we can provide instructions and support for the return process.

Limited Lifetime Warranty

Origin Acoustics warrants to the original retail purchaser only that this Origin Acoustics product will be free from defects in materials and workmanship, provided the speaker was purchased from an Origin Acoustics authorized dealer.

If the product is determined to be defective, it will be repaired or replaced at Origin Acoustics' discretion. If the product must be replaced yet it is no longer manufactured, it will be replaced with a model of equal to or greater value that is the most similar to the original. If this is the case, installing the replacement model may require mounting modifications; Origin Acoustics will not be responsible for any such related costs.

Requirements & Warranty Coverage

This warranty may not be valid if the product was purchased through an unauthorized dealer. This warranty only applies to the individual that made the original purchase, and it cannot be applied to other purchases. The purchaser must be prepared to provide proof of purchase (receipt). This warranty will not be valid if the identifying number or serial number has been removed, defaced, or altered.

Not Covered by Warranty

- Accidental damage
- Damage caused by abuse or misuse
- Damage caused by attempted repairs/modifications by anyone other than Origin Acoustics or an authorized dealer
- Damage caused by improper installation
- Normal wear, maintenance, and environmental issues
- Damage caused by voltage inputs in excess of the rated maximum of the unit
- Damage inflicted during the return shipment

Return Process

Before making any return attempts, it is required that you first contact Origin Acoustics. Return product to Origin Acoustics or your dealer, either in person or by mail. It's preferable if the product is returned in the original packaging. If this isn't possible, the customer is responsible for insuring the shipment for the full value of the product.

This warranty is in lieu of all other expressed or implied warranties. Some states do not allow limitations on implied warranties, so this may not apply depending on the customer's location. (For more information, see Magnuson-Moss Warranty Act.)



www.originacoustics.com • 844-674-4461

©2017 Origin Acoustics